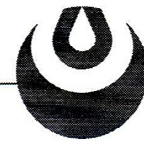


**valsir**<sup>®</sup>  
**QUALITY FOR PLUMBING**

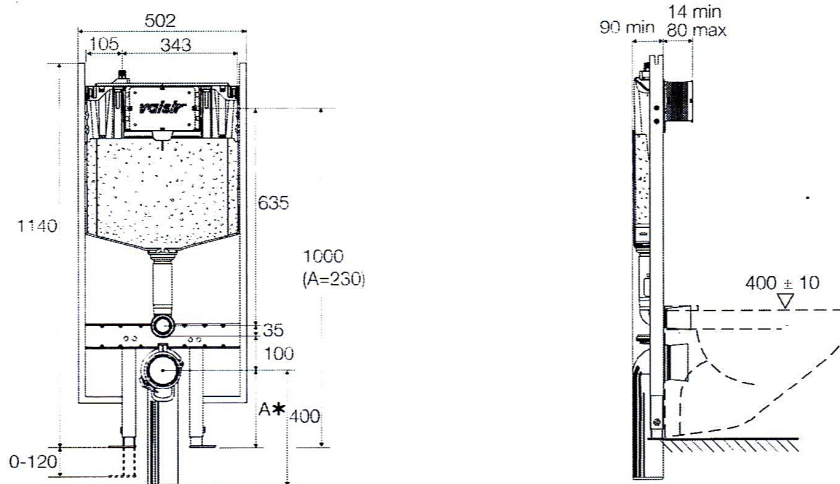
COPERTURA ASSICURATIVA  
 INSURANCE COVERAGE

**10** ANNI  
 YEARS

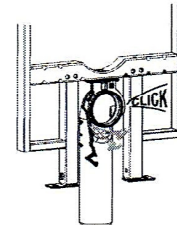
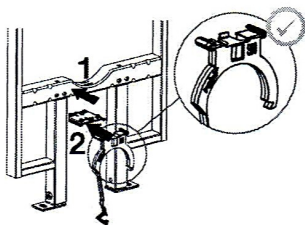
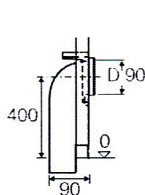


MADE IN ITALY

# TROPEAS HK BLOCK S90



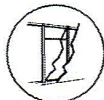
\* Controllare le quote di installazione del WC. - *Verify the installation measurements of the WC.*



## Tipologia d'installazione. - *Installation type.*



Sistema a murare.  
*Built-in system.*



Sistema con pareti in legno.  
*System with wooden walls.*



Sistema a pareti leggere.  
*System for light walls.*



Sistema con rivestimento a secco.  
*System with dry walls.*



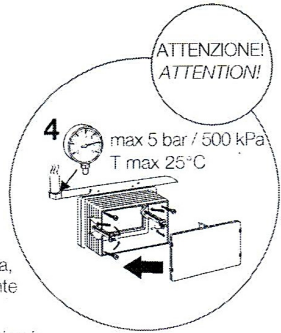
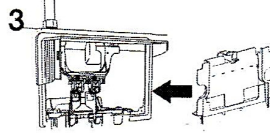
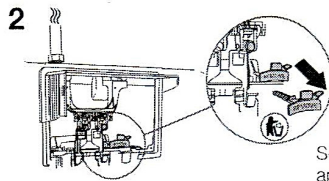
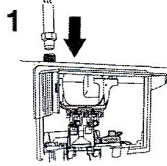
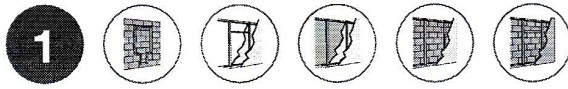
Sistema con fissaggio su binario.  
*Rail-mounting system.*

Concealed dual flushing cistern with a plastic body incorporating an inlet valve and dual flush outlet valve. The cistern includes an AC air gap, brass isolation valve and flexible stainless steel braided hose assembly. The outlet valve operates via a two push button assembly. Maximum working pressure 10.0 bar. For use with cold water only. Installation Requirements and Notes under the Water Supply (Water Fittings) Regulations 1999 in England and Wales, the Water Byelaws 2004 in Scotland and the Water Supply (Water Fittings) Regulations (Northern Ireland) 2009.

1. An "Approved" single check valve or some other no less effective backflow prevention device providing backflow prevention protection to at least fluid category two shall be fitted at the point of connection(s) between the water supply and the fitting or appliance.
2. A servicing valve shall be installed on the supply to the fitting in a readily accessible location.
3. An inlet strainer or line strainer shall be provided at the inlet.

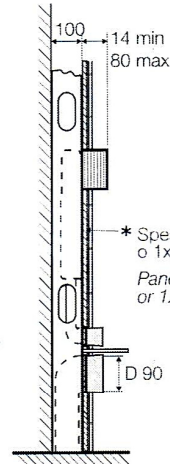
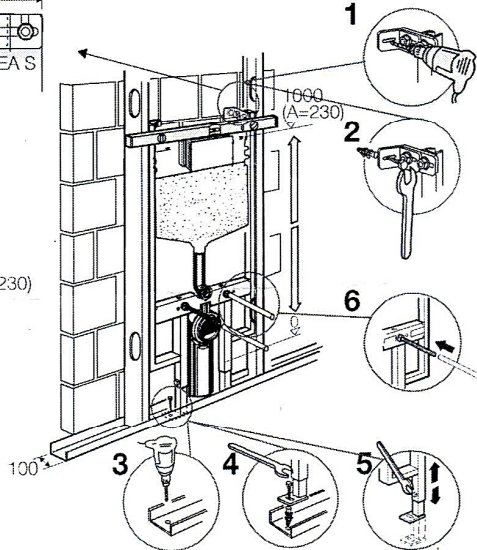
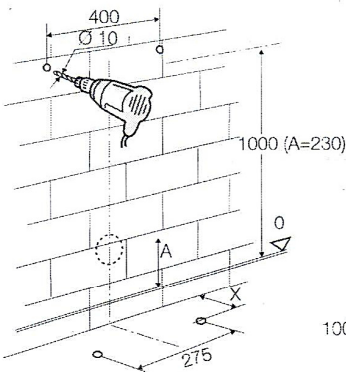
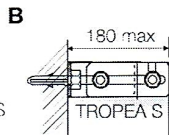
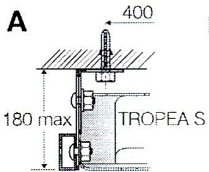
VALSIR garantisce un perfetto risciacquo solo su vasi omologati per la quantità d'acqua prevista dalla cassetta.  
 VALSIR guarantees a perfect flush only on test-proven pans with suitable capacity.

# MONTAGGIO - ASSEMBLY

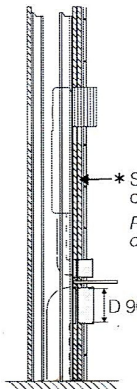
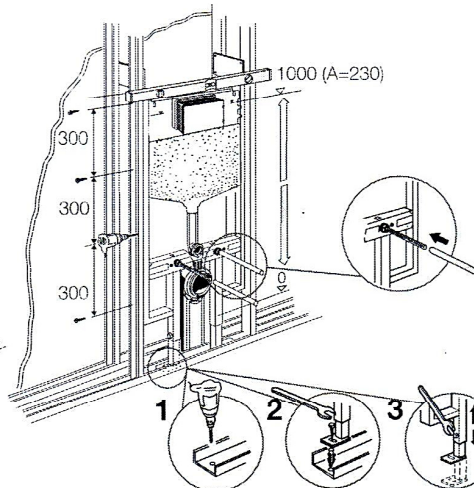
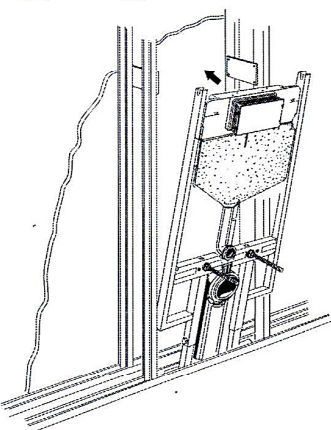


Solo per UK e Sigapore: una valvola di ispezione singola, approvata WRAS, deve essere installata immediatamente prima della valvola d'arresto all'ingresso del prodotto.

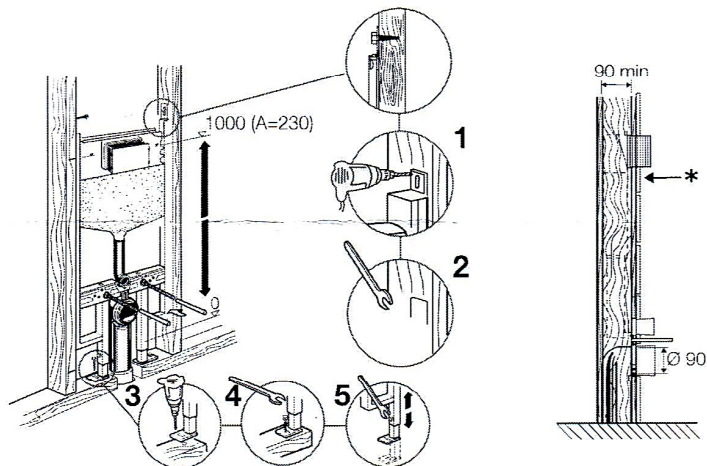
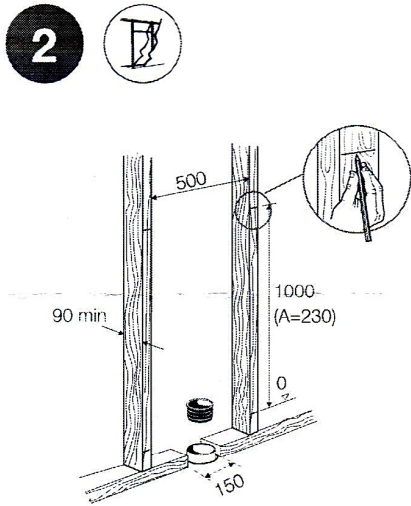
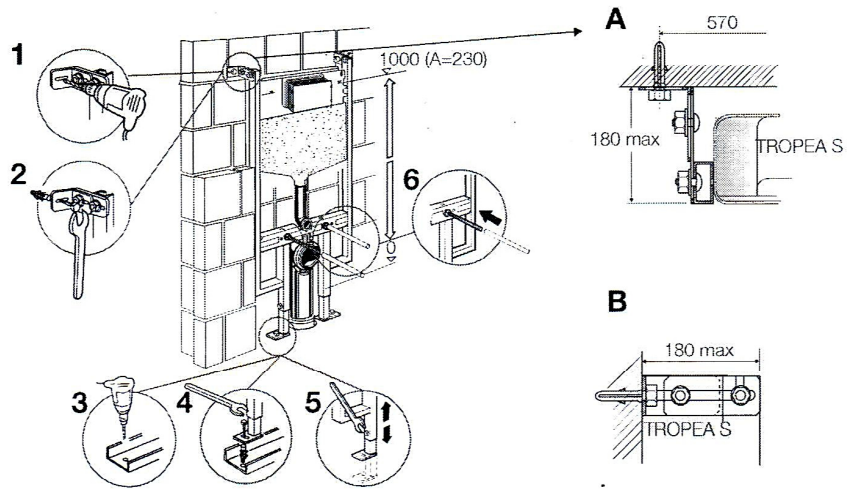
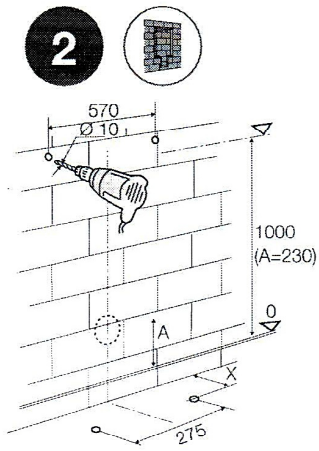
For UK and Singapore only: a WRAS approved single check valve is required to be installed immediately upstream of the stop valve at the inlet of the product.



\* Spessore del pannello 1x25 mm o 1x18 mm o 2x13 mm.  
Panel thickness 1x25 mm or 1x18 mm or 2x13 mm.

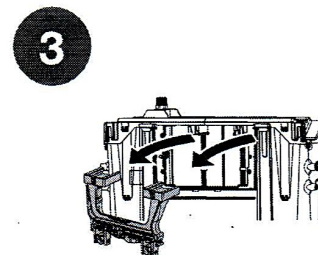
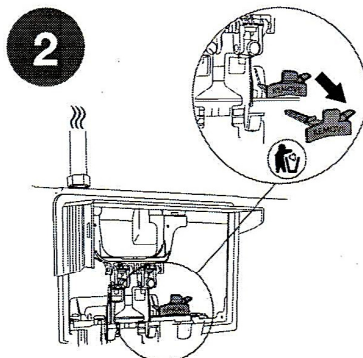
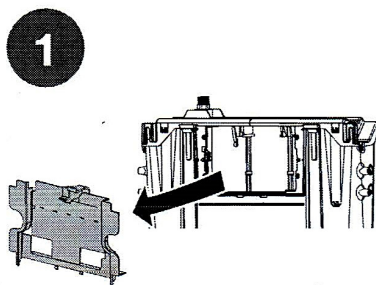


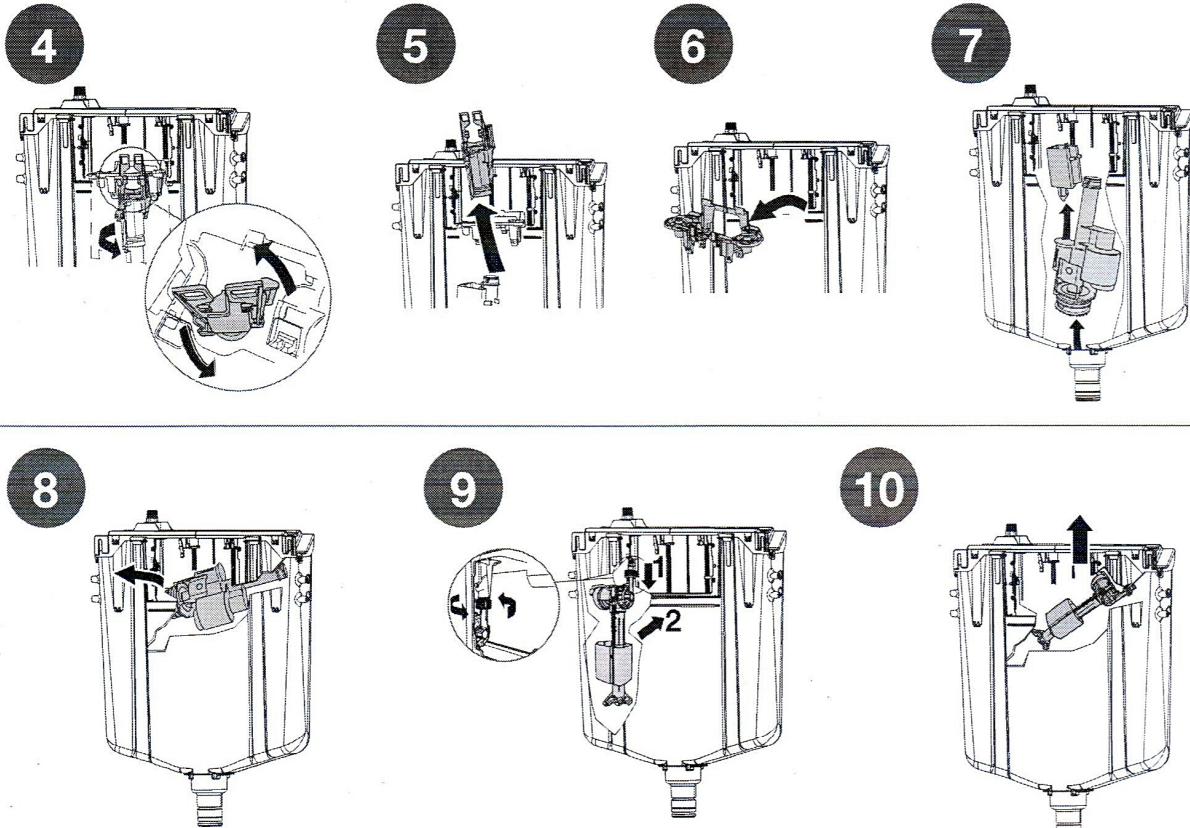
\* Spessore del pannello 1x25 mm o 1x18 mm o 2x13 mm.  
Panel thickness 1x25 mm or 1x18 mm or 2x13 mm.



Ispezione sul muro d'appoggio  
 (cassetta girata a 180°)  
 Inspection opening on the back wall  
 (cistern turned off 180°)

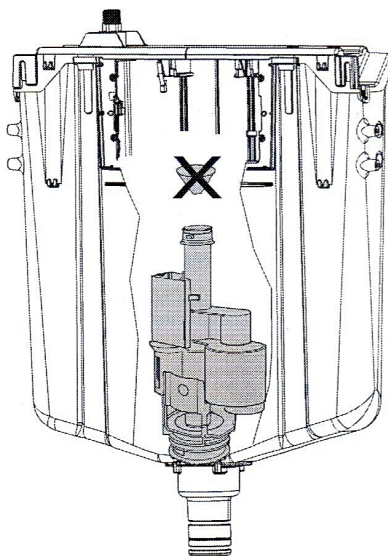
## SERVICE





## INSTALLAZIONE TROPPO PIENO - OVERFLOW INSTALLATION

### Attenzione - Warning



Kit Valsir VS0868340 - Valsir kit VS0868340



Mettere il tappo interno solamente se si usa il kit Valsir VS0868340 e con una pressione inferiore a 5 bar.

Put the internal cap in the sole case you use Valsir kit VS0868340 and with a pressure lower than 5 bar.

**VALSIR S.p.A.**  
Località Merlaro, 2 - 25078 Vestone (BS) - Italy  
Tel. +39 0365 877.011 - Fax +39 0365 81.268  
e-mail: assistenza@valsir.it  
[www.valsir.it](http://www.valsir.it)

Soggetta all'attività di direzione e coordinamento ex art. 2497 bis C.C. da parte di Silmar Group S.p.A. - Codice Fiscale 02075160172

Tropea S



**valsir**  
QUALITY FOR PLUMBING